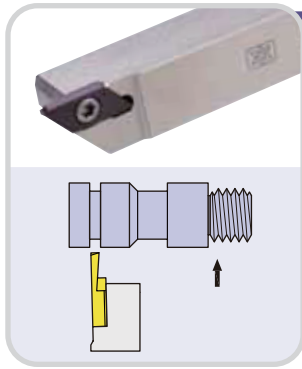
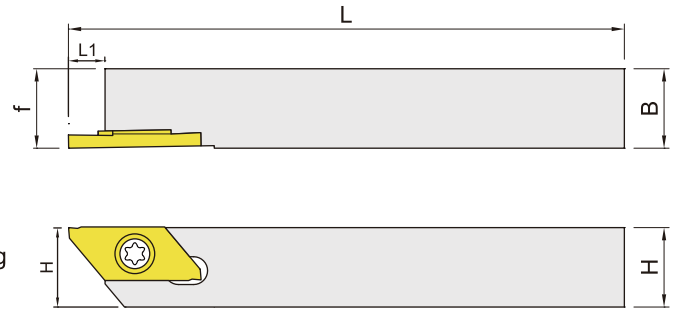


CNC 走心自動車床刀具 TURNING TOOLS FOR AUTOMATIC LATHES


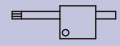


CTAHR

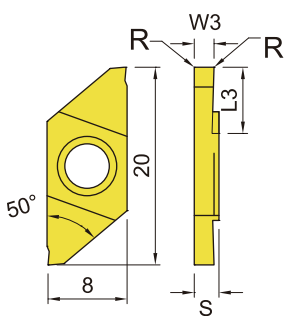
功能:
開槽 Grooving and turning
切斷 Parting off



Right-hand shown

| Item code | Dimensions,mm | | | | | Insert | Screw  | Wrench  |
|------------------------|---------------|----|-----|-----|----|-----------|--|---|
| | H | B | L | L1 | f | | | |
| CTAHR-1212K-120 | 12 | 12 | 125 | 5.5 | 12 | CTAT..... | MS4011A | ETF15 |
| CTAHR-1616K-120 | 16 | 16 | | | 16 | | | |
| CTAHR-2020K-120 | 20 | 20 | | | 20 | | | |

NEW

| Description | GRADE 材質 | | Insert Shape  | Dimensions,mm | | | |
|------------------------|----------|--------|--|---------------|-----|-----|------|
| | NW948 | VP15TF | | W3 | L3 | S | R |
| CTAT10120V5RN-B | | | | 1.0 | 6.7 | 2.5 | 0.05 |
| CTAT15120V5RN-B | | | | 1.5 | 6.7 | 2.5 | 0.05 |
| CTAT20120V5RN-B | ● | | | 2.0 | 6.7 | 2.5 | 0.05 |

BORING BARS
內徑車刀

TOOLHOLDERS
外徑車刀

THREADING & GROOVING
牙刀 & 開槽刀

MILLING
銑刀

BORING TOOLS COMPONENTS
孔加工

SPARE PARTS
配件