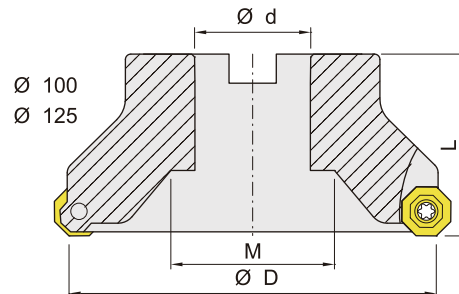
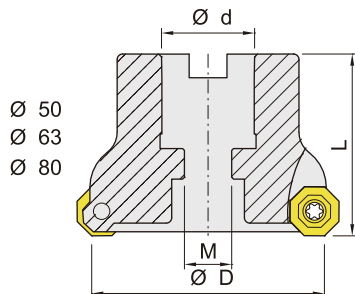
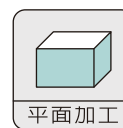


# MOF 45°面銑刀 45°FACE MILLING CUTTERS (MOF)



內徑車刀  
BORING BARS



外徑車刀  
TOOLHOLDERS

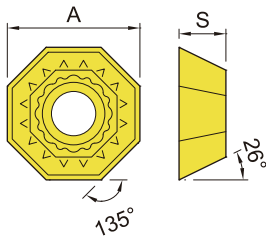
牙刀 & 開槽刀  
THREADING & GROOVING

銑刀  
MILLING

孔加工  
BORING TOOLS COMPONENTS

配件  
SPARE PARTS

Item code	Dimensions,mm				Teeth	Insert	Screw 	Wrench 
	D	d	L	M				
<b>MOF0545R-05004-22.0</b>	50	22.0	40	11	4	OFMT050405ER-SH	MS4011A	ETF15
<b>MOF0545R-06305-22.0</b>	63	22.0	40	11	5			
<b>MOF0545R-06305-25.4</b>		25.4	50	13	5			
<b>MOF0545R-08006-25.4</b>	80	25.4	50	13	6			
<b>NEW MOF0545R-08006-27.0</b>		27.0	50	13	6			
<b>MOF0545R-10007-31.75</b>		100	31.75	50	45			
<b>NEW MOF0545R-10007-32.0</b>	32.0		50	45	7			
<b>MOF0545R-12508-38.1</b>	125	38.1	63	55	8			
<b>NEW MOF0545R-12508-40.0</b>		40.0	63	55	8			

Description	GRADE 材質	Insert Shape 	Dimensions,mm		
	PR830		A	S	r
<b>OFMT050405ER-SH</b>	●		13.47	4.76	0.5