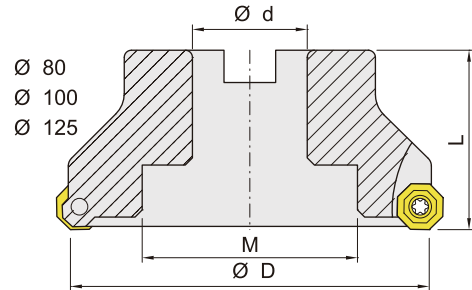
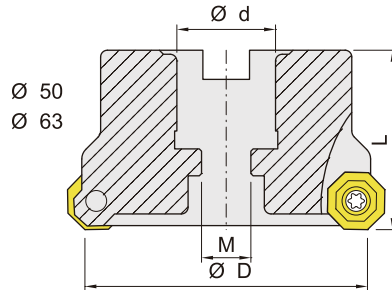
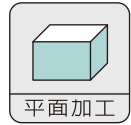

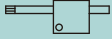
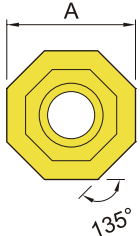
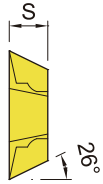


# TFM 45°面銑刀 45° FACE MILLING CUTTERS (TFM)



Item code	Dimensions,mm				Teeth	Insert	Screw 	Wrench 
	D	d	L	M				
TFM435R-05005-22.0	50	22.0	40	11	5	OFMT05T3 TN-ML	MS4011A	ETF15
<b>NEW</b> TFM435R-06306-22.0	63	22.0	40	11	6			
TFM435R-06306-25.4	63	25.4	50	13	6			
<b>NEW</b> TFM435R-08007-25.4	80	25.4	50	13	7			
TFM435R-08007-27.0	80	27.0	50	38	7			
<b>NEW</b> TFM435R-10008-31.75	100	31.75	50	46	8			
TFM435R-10008-32.0	100	32.0	50	46	8			
<b>NEW</b> TFM435R-12509-38.1	125	38.1	63	60	9			
TFM435R-12509-40.0	125	40.0	63	60	9			
<b>NEW</b> TFM435R-16011-50.8	160	50.8	63	80	11			

Description	GRADE 材質	Insert Shape	Dimensions,mm		
	TT8020		A	S	r
OFMT05T3 TN-ML		 	12.7	3.8	0.6

內徑車刀  
BORING BARS

外徑車刀  
TOOLHOLDERS

牙刀 & 開槽刀  
THREADING & GROOVING

銑刀  
MILLING

孔加工  
BORING TOOLS COMPONENTS

配件  
SPARE PARTS